

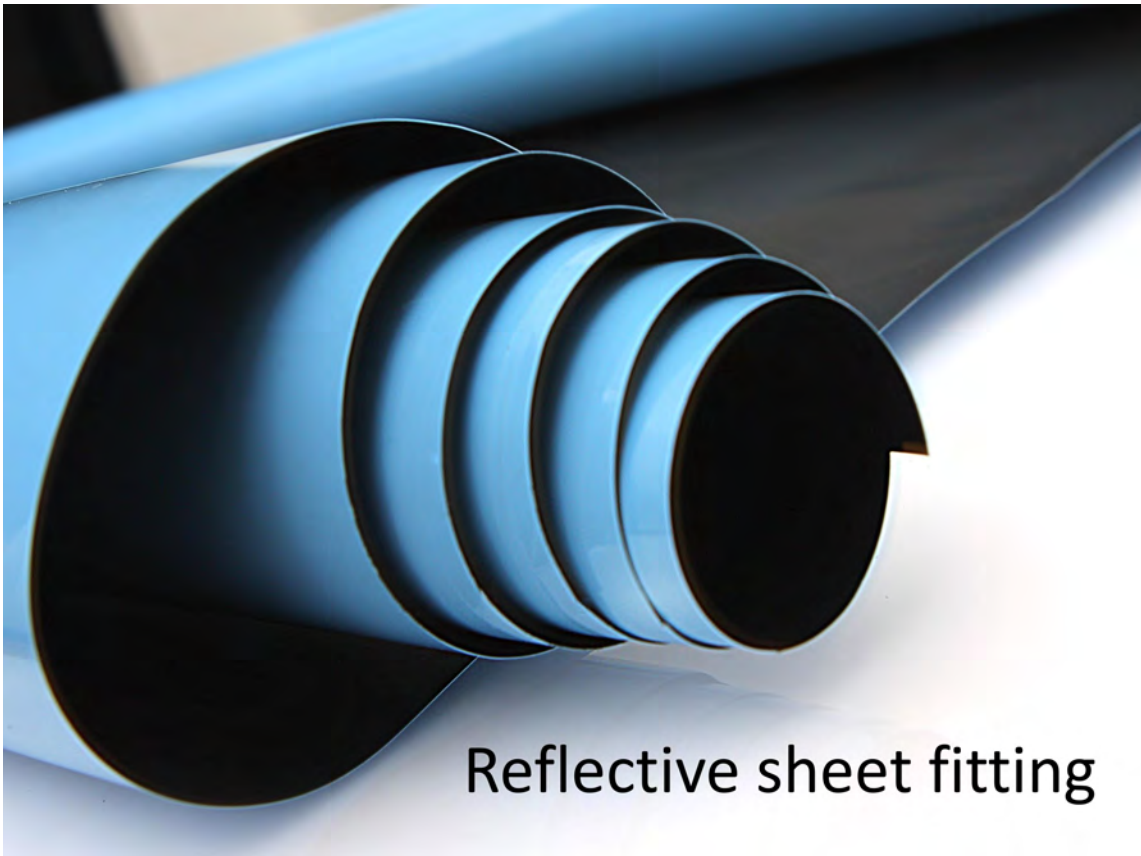
WEATHER BEATER

Reel Installation Method

very important

Once removed from a pool a solar cover can quickly build-up enough heat from sun light exposure that permanent damage to the cover may occur. Don't waste time in covering it with the provided protective sheet. Heat damage is not covered by your warranty.

**Protect Your Investment
Always Use Reflective Sheet
to Protect Solar Cover When
Removed From Pool**

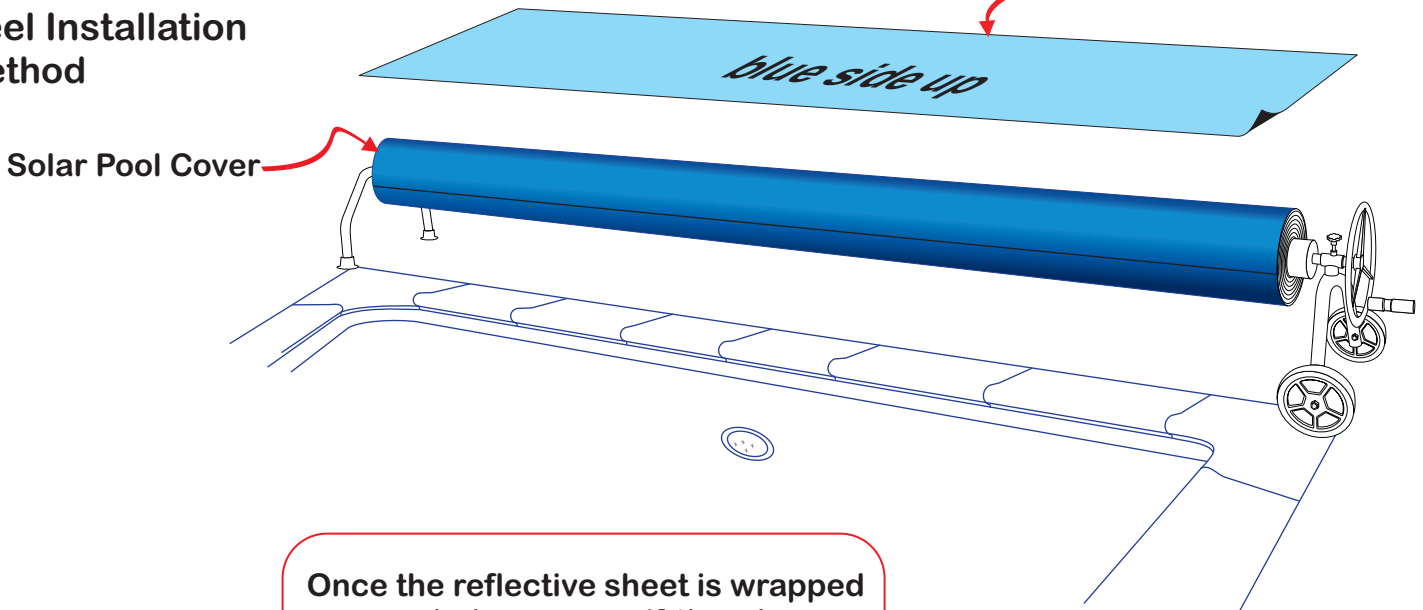


Reflective sheet fitting

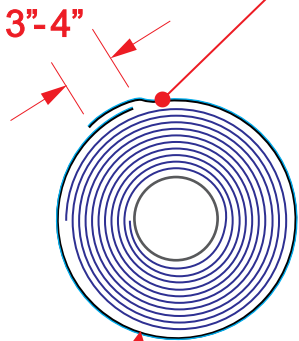
WEATHER BEATER

Reflective Sheet Reel Installation Method

Place reflective sheet on reeled-up solar cover and check fit, it may or may not require trimming



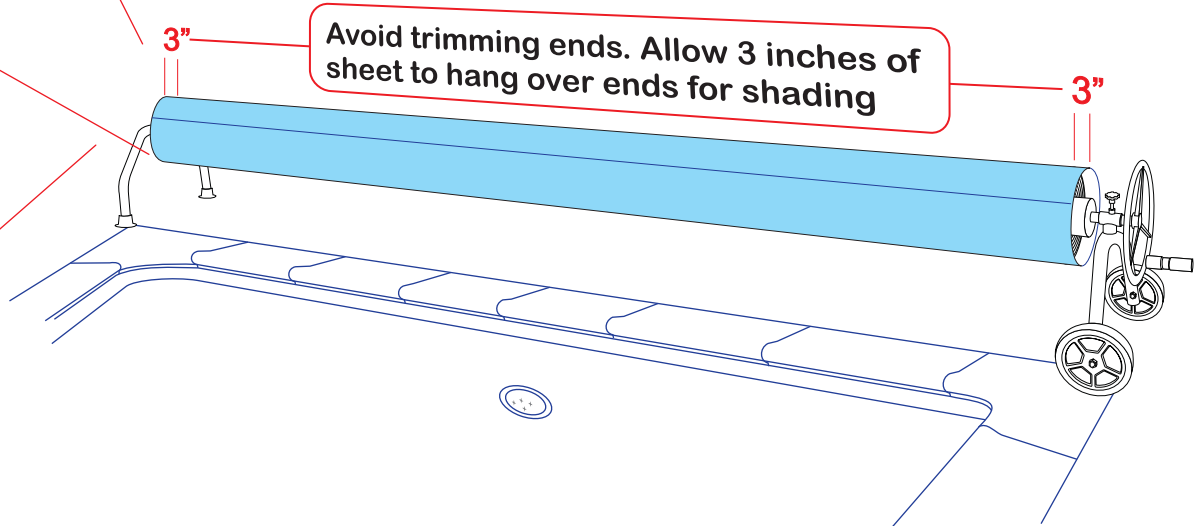
Once the reflective sheet is wrapped over reeled-up cover, if there's more than 4 inches of overlap, mark and trim excessive sheet material so that the new overlap is 3 to 4 inches



Reflective Sheet



It is easier to remove the reflective cover and trim it on the deck instead of on the reel

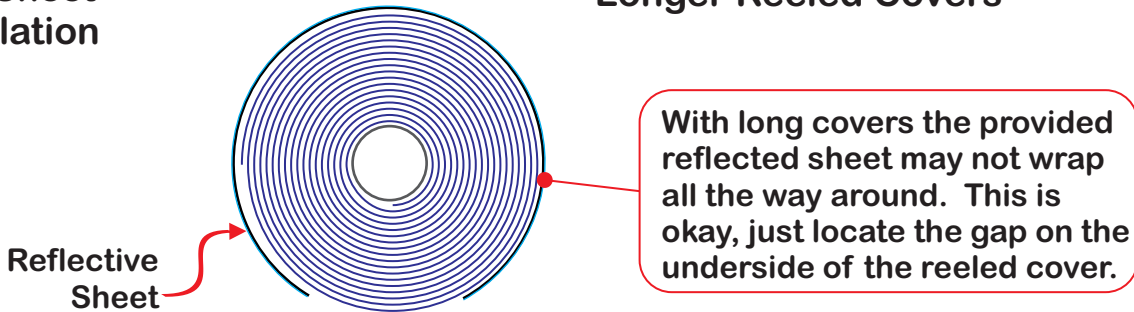


Continued on Next Page

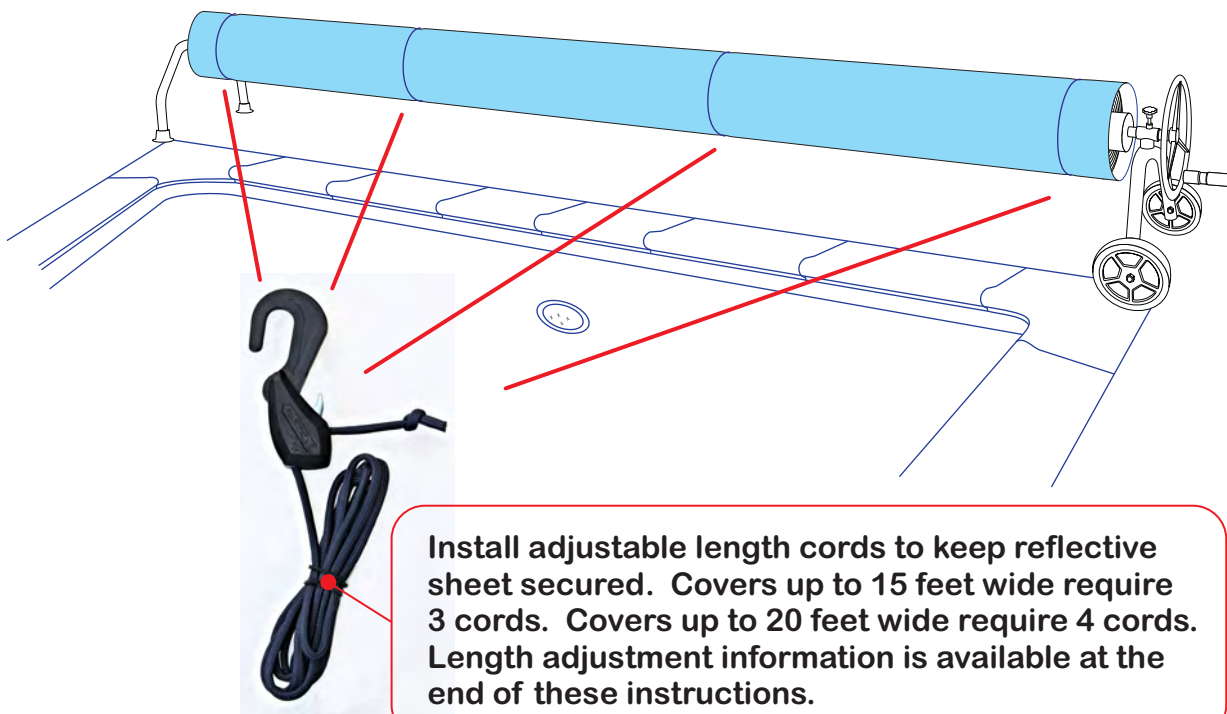


Reflective Sheet Reel Installation Method

Reflective Cover Use Over Longer Reeled Covers



Securing Cord Deployment



Continued on Next Page



Reflective Sheet Securing Cord Usage

Reflective Sheet Reel Installation Method

Depressing the thumb lever located on the on the hooked end allows the cord to be tightened or loosened



Thumb Lever

push forward towards hook

Pull this end of cord to tighten over reeled and reflective sheet materials

When securing cord, insert hook through looped end and adjust cord tension as needed



Pull this end of cord to loosen tension from reeled and reflective sheet materials